

R Series

Compact Electric Actuator



The Assured Automation R Series electric valve actuators offer a simple and cost effective solution for your valve automation needs. For use on quarter turn (90°) ball valves 1/4" to 3" and resilient seated butterfly valves (115 AC) 2" to 4".

FEATURES

- Compact design.
- Direct mounting to valve.
- Declutchable manual override.
- Thermally protected motor.
- NEMA-4, 4X weatherproof enclosure.
- Hardened steel gearing.
- Self-lubricating shaft bearings.
- Factory sealed gearbox.
- Position Indicator.

R SERIES MODEL NUMBERING

Model Number: **R-XXX**

Output Torque: _____
150 = 150 in./lb.
300 = 300 in./lb.
600 = 600 in./lb.

Supply Voltage: _____
E = 24 VAC
A = 115 VAC
C = 230 VAC
F = 12 VDC
B = 24 VDC

Optional: _____
Accessories: _____
H = Heater
E = Extra Switch

TEMPERATURE RANGE

0°F to 150°F.

MATERIALS OF CONSTRUCTION

Mounting/Shaft:

Zinc plated steel

Cover:

Polycarbonate

Base:

Diecast zinc alloy

Base Finish:

Powder coated epoxy

SPECIFICATIONS

Enclosure:

NEMA-4, 4X, weatherproof.

Conduit Connection:

1/2" - 14 NPT.

Duty Cycle:

AC Units - 25%;
 DC Units - 100%.

Lubrication:

Permanently lubricated gear train and bearing.

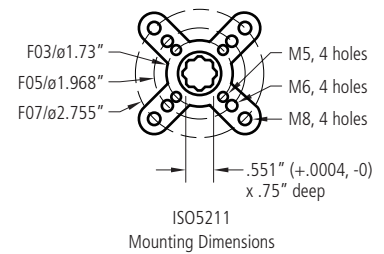
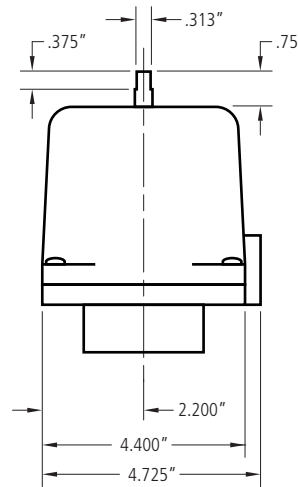
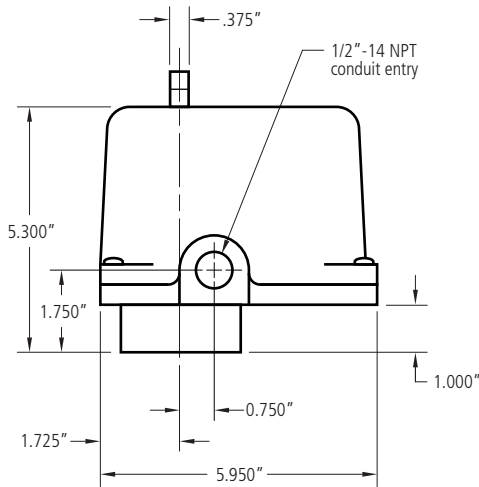
Mounting/Shaft:

ISO 5211/Female.

R Series

Compact electric actuator

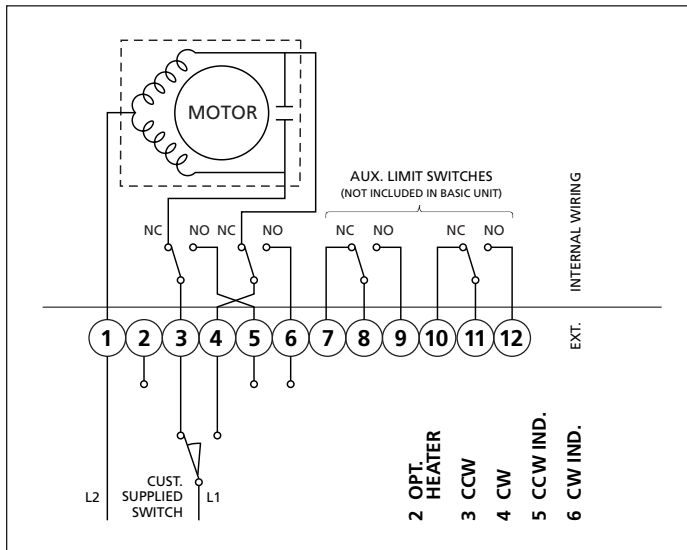
(Up to 600 in/lbs Output Torque, AC & DC)



WEIGHTS & ADDITIONAL SPECIFICATIONS

Break Torque	Speed (sec)	Current Draw (amps stalled)					Weight (lbs.)	Model No.
		24 VAC	115 VAC	230 VAC	12 VDC	24 VDC		
150 in./lb.	5	2.8	.87	.48	-	-	6.0	R-150
300 in./lb.	9	2.8	.87	.48	2.0	1.0	6.0	R-300
600 in./lb.	16	2.8	.87	.48	2.0	1.9	6.0	R-600

WIRING DIAGRAM (VAC, Reversible)



WIRING DIAGRAM (VDC, Reversible)

