

V4 Series

Compact Electric Actuator



The Assured Automation V4 Series electric actuators offer a simple and cost effective solution for your valve automation needs. For use on quarter turn (90°) ball valves 1/4" to 1" in size. This compact industrial unit has external wire leads eliminating the need to open the unit. Pre-wired power cords are also available.

FEATURES

- Captive cover bolt. Prevents loss when cover is removed for adjustments.
- Manual override. Stainless Steel with wrench flats for easy manual operation.
- Fine adjust cams allowing 90° to 270° operation.
- Prewired with leads.
- NEMA-4, 4X housing design for superior corrosion resistance.
- Ball bearing support providing greater reliability.
- Heavy duty PSC motor with automatically re-setting thermal protector to prevent overheating.
- High strength gears designed to AGMA standards and able to withstand stall torque conditions.
- 15 A SPDT switches.
- Permanently lubricated gear train.
- ISO 5211 mounting pad.
- 1/2" conduit entry, optional additional entry.

OPTIONAL FEATURES

- Modulating control board with digital calibration.
- Extra switches.
- 3-position setup to close the valve to a slower flow rate, allowing top off.
- Terminal strips to provide a termination point inside of the housing.
- On-board relays, feedback sensors and timers.
- Heavy duty brake.
- Position indicator.
- Heater and thermostat to prevent condensation buildup and corrosion.
- Sealed leads to prevent moisture ingress.
- Battery backup.
- Control boxes for specific and custom functions.

V4 SERIES MODEL NUMBERING

Model Number: **EV** X X X

Output Torque: _____
1 = 125 in./lb.
3 = 300 in./lb.

Duty Cycle: _____
S1 = 75%
S2 = 25%
S3 = 100%

Supply Voltage: _____
V1 = 115 VAC
V3 = 230 VAC
V7 = 24 VAC
V8 = 12 VDC
V9 = 24 VDC

TEMPERATURE RANGE

0°F to 160°F

SPECIFICATIONS

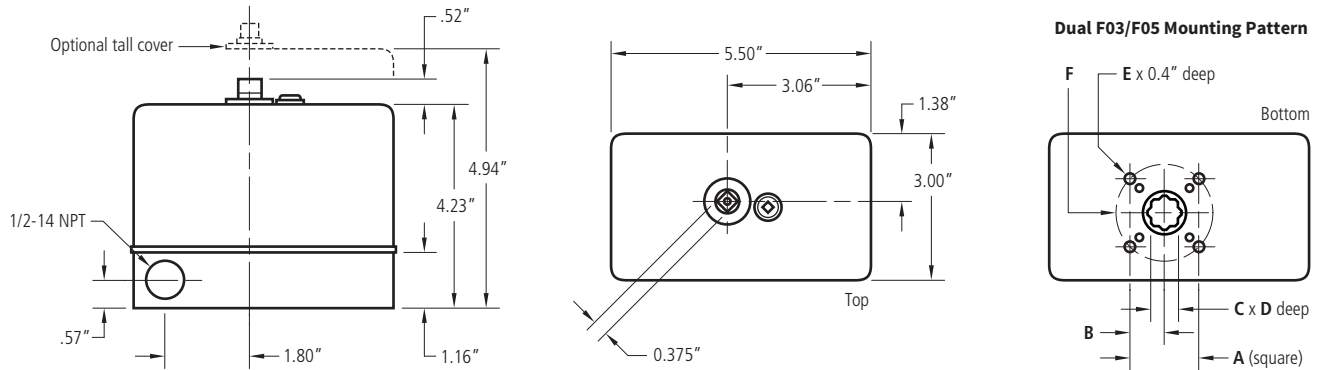
Enclosure:
NEMA-4X

Conduit Connection:
1/2" NPT

Duty Cycle:
AC Units - 75% (125 in./lb.),
25% or 75% (300 in./lb.);
DC Units - 100%

V4 Series

Compact electric actuator
(NEMA-4X enclosure)



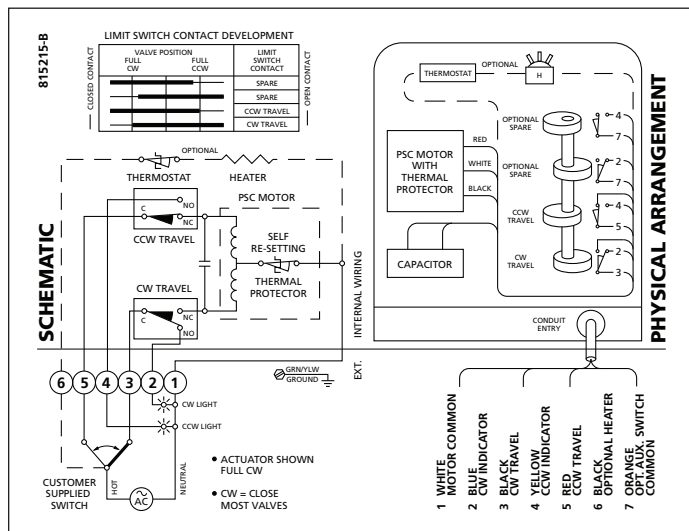
DIMENSIONS

ISO Pattern	A	B	C	D	E	F
F03	1.002	0.501	0.354	0.630	M5TAP	1.42
F05	1.392	0.696	0.551	0.630	M6TAP	1.97

WEIGHT & SPECIFICATIONS

Output Torque	Speed (sec)					Current Draw (run / full load)					Weight (lbs.)
	24 VAC	115 VAC	230 VAC	12 VDC	24 VDC	24 VAC	115 VAC	230 VAC	12 VDC	24 VDC	
125 in./lb.	3	3	3	3	3	1.6 / 4	0.4 / 0.6	0.3 / 0.5	1.6 / 4	0.9 / 4	5.0
300 in./lb.	6	7	7	6	6	1.6 / 4	0.4 / 0.6	0.3 / 0.5	1.6 / 4	0.9 / 4	5.0

WIRING DIAGRAM (VAC, Reversible)



WIRING DIAGRAM (VDC, Reversible)

